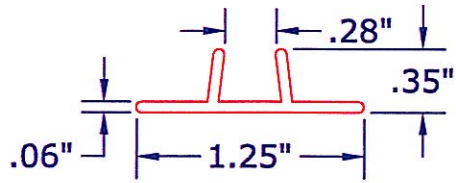
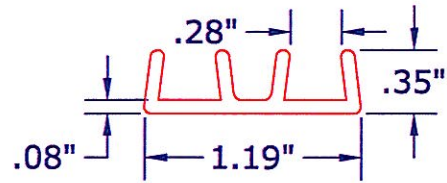


ALUMINUM HOLDERS FOR NO. 7 CHANNEL

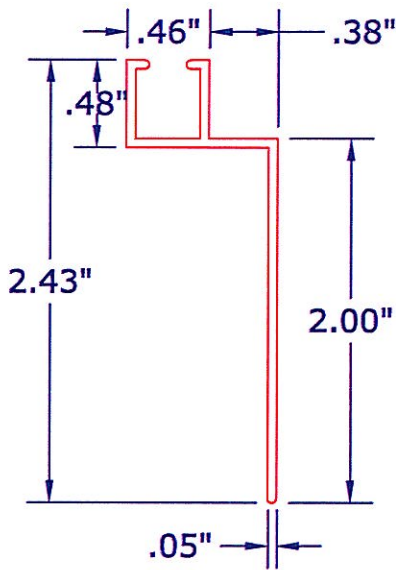
I



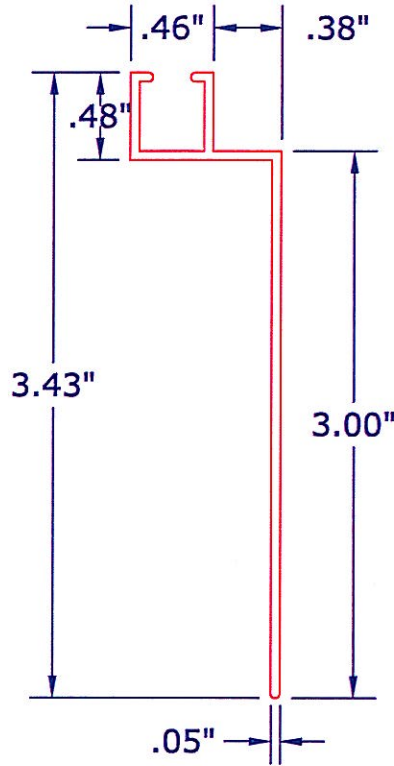
J



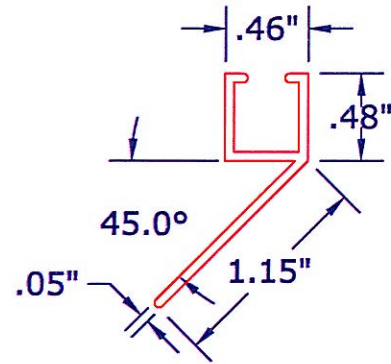
K



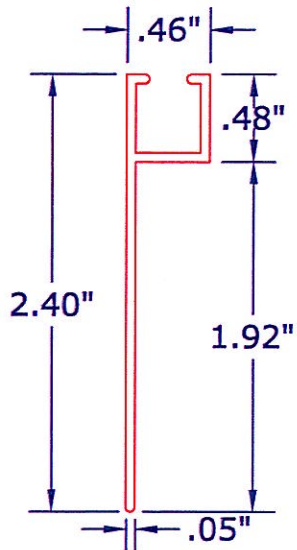
L



M



N



P

